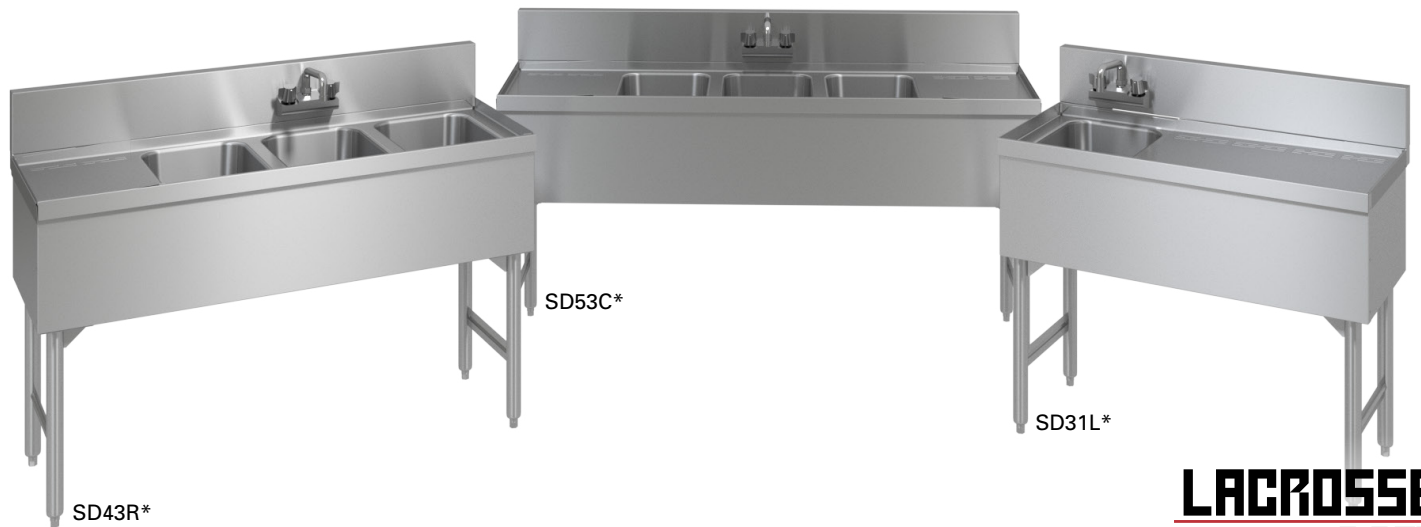


the PIPER Focus

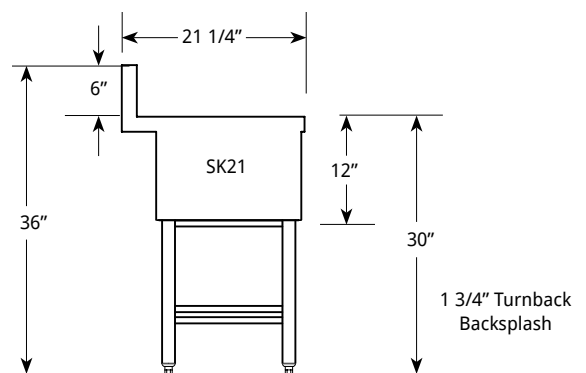
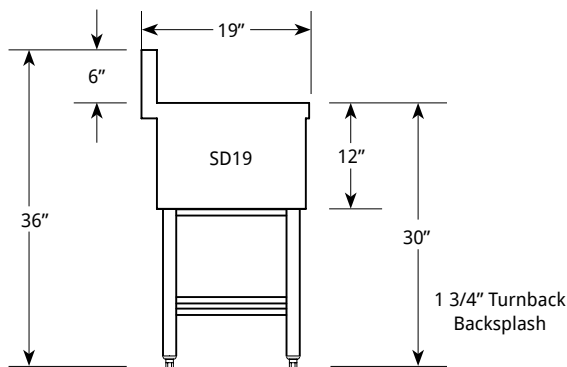
Deep-Drawn Sinks in 40 configurations

We have just the right sink for your underbar needs



Deep drawn sinks from LaCrosse by Piper are available in many configurations to fit your needs. First, choose the depth required - from 19"(SD) or 21"(SK). Then specify any length from 2' to 7', and in one to four compartments. You can also choose whether to have the sinks located on the left, right, or center of the unit. They include a 6" backsplash with a 1-3/4" turnback, a low-lead compliant faucet (4-bowl sinks include 2 faucets), and steel tube legs in a corrosion-resistant hammertone paint. All bowls are 10" x 14" x 9-3/4". To see more available configurations and additional underbar equipment, visit LacrosseCooler.com.

SD: 19" FRONT TO BACK WALL MOUNT FAUCET | SK: 21" FRONT TO BACK WALL MOUNT FAUCET



*All sinks shown with optional stainless steel legs (#L400-99S18-S)

PIPER
The Food-Focused Equipment Company
a CFSBRANDS company

300 S. 84th Avenue • Wausau, WI 54401
Phone: 800-544-3057 • Fax: 715-842-3125
www.piperonline.net