

# Island Hot Food Merchandiser

IS-HT-MR-ST-3X5, IS-HT-MR-ST-3X6, IS-HT-MR-ST-4X6  
 IS-HT-MR-DT-3X5, IS-HT-MR-DT-3X6, IS-HT-MR-DT-4X6

## APPLICATIONS

- Self-service merchandiser for packaged hot foods such as rotisserie chicken, Ready-to Eat meats/meals
- Overhead Heating + Hot Plate & Shelf
- Heated deck plates radiate warmth uniformly

## STANDARD FEATURES

### CABINET CONSTRUCTION

- Base Cabinet consists of 3/4" plywood finished in high pressure plastic laminate
- Stainless steel countertop
- One row of protective vinyl bumper guard + corner protectors
- 6" black or stainless steel toe-kick base

### HEATED SHELVING

- Shelves & deck - stainless steel with steel rod or tempered glass product stops
- Shelves provided with NSF-4 overhead warmers with infinite temp. control
- Digitally controlled, NSF-4 heated deck plates radiate warmth uniformly keeping product at optimum temperature.
- LED lighting under shelves

### ELECTRICAL REQUIREMENTS

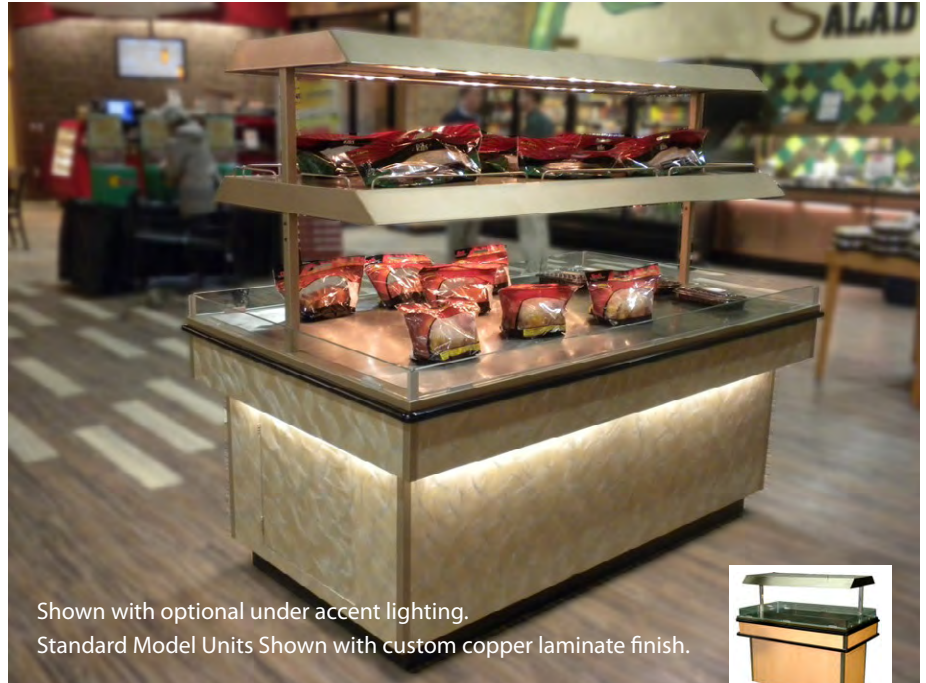
- Pre-wired and furnished with a junction box for use on a dedicated 120/208V, 60Hz, 1 phase circuit
- Built in accordance with NEC, UL and NSF standards.

### WARRANTY

- One year - Parts and Labor

## OPTIONS / ACCESSORIES

- Stainless steel canopy assembly
- Assorted colors for vinyl bumper
- Mirrored or stainless steel accent strip
- Contact factory representative for assorted finishes.
- Casters may be added to base for mobility
- Circuit Breaker in lieu of junction box

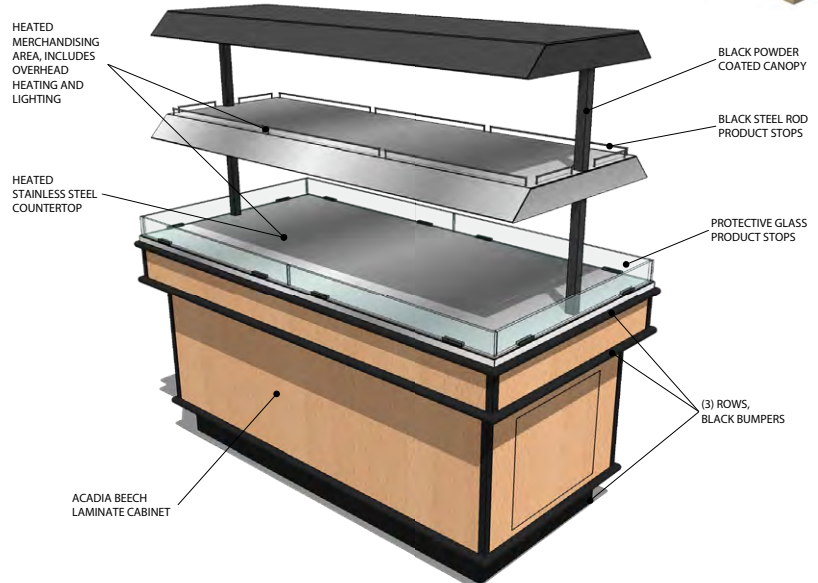


Shown with optional under accent lighting.  
 Standard Model Units Shown with custom copper laminate finish.



## 2 models available: Single Tier & Double Tier

See reverse for dimensions



Rendering depicts *Double Tier - 3'x 6'* model. Shown with custom finish selections including powder coated canopy assembly

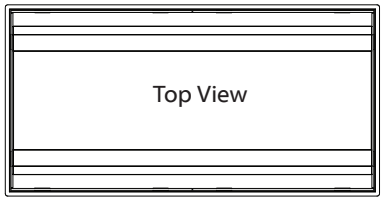
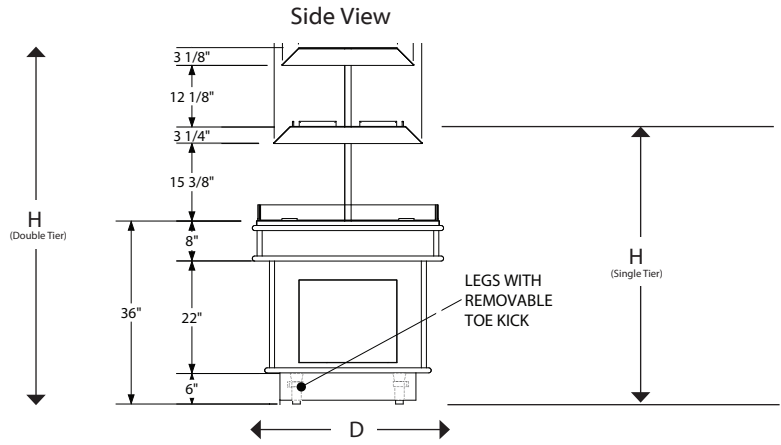
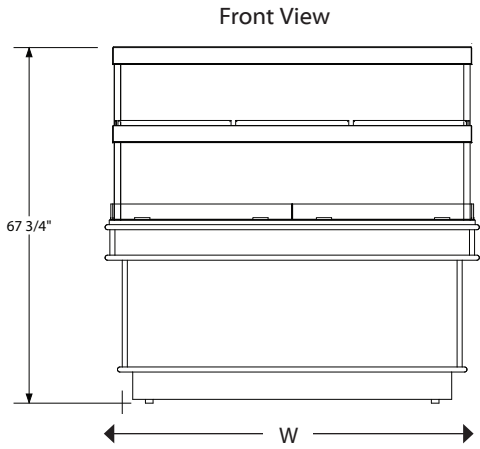
Engineered for stores with ambient conditions not to exceed 75°F and 55% relative humidity. Due to continuous improvements specifications may change without notice.

Built to meet the following specifications:



# Island Hot Food Merchandiser

IS-HT-MR-ST-3X5, IS-HT-MR-ST-3X6, IS-HT-MR-ST-4X6  
 IS-HT-MR-DT-3X5, IS-HT-MR-DT-3X6, IS-HT-MR-DT-4X6



Single Tier Width	Capacity (package chickens)	Dimensions (inches)			Volts	Phase	AMPS
		W	D	H			
3' x 5'	14	60	36	52.5	120/208	1	27.0
3' x 6'	18	72	36	52.5	120/208	1	30.0
4' x 6'	31	72	48	52.5	120/208	1	32.0

Double Tier Width	Capacity (package chickens)	Dimensions (inches)			Volts	Phase	AMPS
		W	D	H			
3' x 5'	26	60	36	67.75	120/208	1	39.0
3' x 6'	32	72	36	67.75	120/208	1	46.2
4' x 6'	49	72	48	67.75	120/208	1	47.0