

## APPLICATIONS

- Self-service merchandiser for packaged hot foods such as rotisserie chicken, Ready-to-Eat meats/meals
- Heated deck plates combined with overhead warmers radiate uniform warmth

## STANDARD FEATURES

### CABINET CONSTRUCTION

- Cabinet and countertop to consist of 3/4" plywood panels finished in high pressure plastic laminate.
- Stainless Steel deck
- 2 rows of protective 1" vinyl bumpers plus stainless steel corner guards.
- 4" high toe-kick base.
- Fixture is designed to NEC, UL and NSF standards.

### HEATED SHELVING

- Stainless steel shelves and deck with steel rod or tempered glass product stops.
- Shelves provided with NSF-4 overhead heat/light with infinite digital temperature control

### ELECTRICAL REQUIREMENTS

- Unit is pre-wired and furnished with a junction box for use on a dedicated 120V/15A, 60Hz, 1 phase circuit.
- Built in accordance with NEC, IL and NSF standards

### WARRANTY

- One year - Parts and Labor

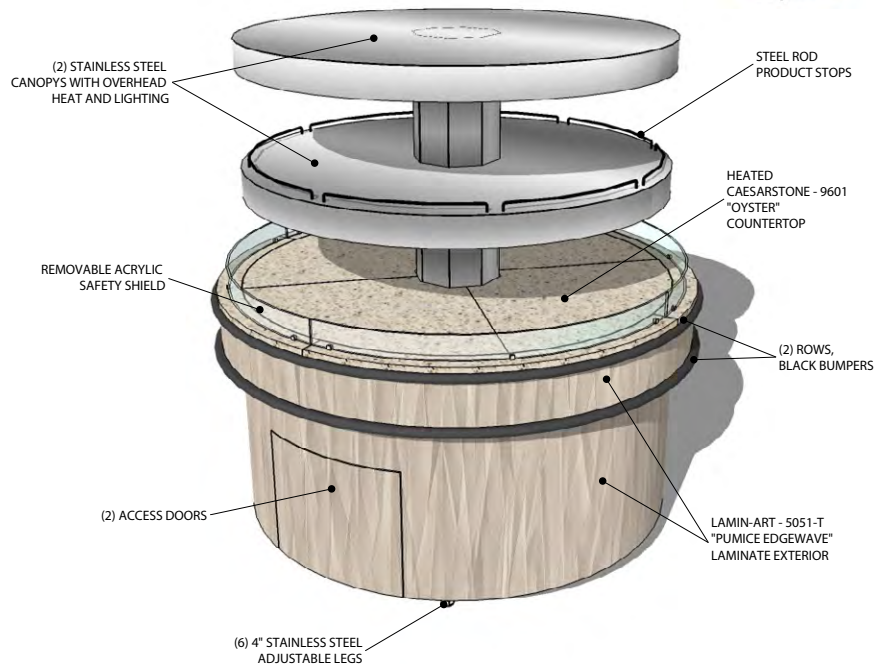
## OPTIONS / ACCESSORIES

- Powder coated canopy assembly
- Assorted colors available for laminate and vinyl bumper
- Stainless or mirrored laminate accent strip (contact factory representative for information on finishes)
- Circuit breaker panel instead of junction box

*Available as Single or Double Tier*



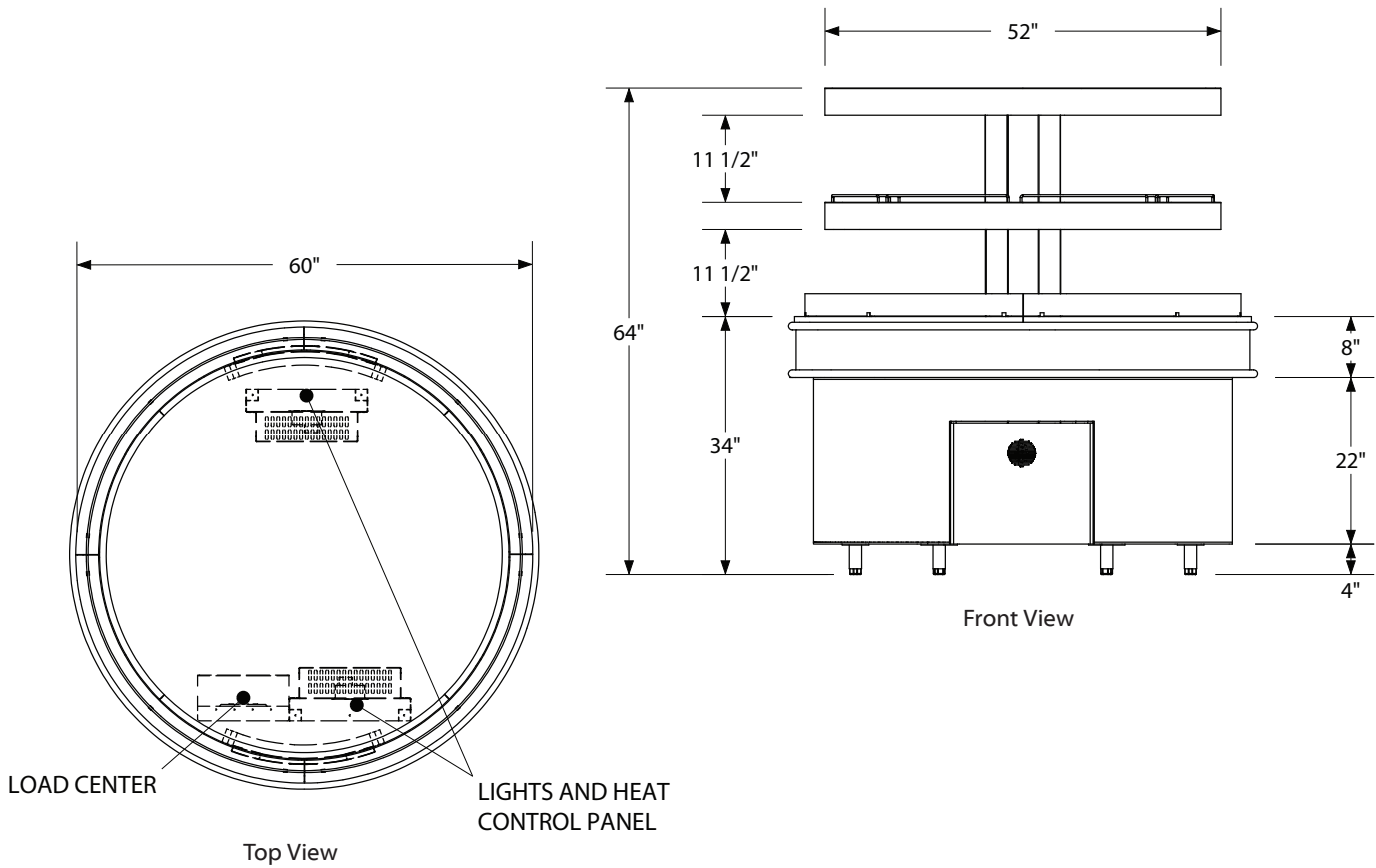
Shown with optional finishes



Engineered for stores with ambient conditions not to exceed 75°F and 55% relative humidity. Due to continuous improvements specifications may change without notice.

Built to meet the following specifications:





Octagon Rotisserie Chicken Warmer	Capacity (approx.) packaged chickens	Dimensions (inches)			Volts	Phase	AMPS
		L	D	H			
Single Tier	18	50	50	49	120/208	1	12.6
Double Tier	36	50	50	64	120/208	1	18.2

## ELECTRICAL SPECIFICATIONS - (BASED ON A DOUBLE TIER MODEL)

QTY	DESCRIPTION	MANUFACTURER	MODEL #	VOLTAGE	AMPS EA	L-1 AMPA	L-2 AMPS	BREAKER RATING
4	OVERHEAD HEAT/LIGHT	HATCO	GRAHL-24-2	120	20.68	20.68		
4	OVERHEAD HEAT/LIGHT	HATCO	GRAHL-24-2	120	20.68		20.68	
1	CUSTOM PLATE (800W)	R&D FIXTURES	N/A	208	7.7	7.7	7.7	
1	CUSTOM PLATE (800W)	R&D FIXTURES	N/A	208	7.7	7.7	7.7	
TOTAL AMPS PER LINE						36.08	36.08	
TOTAL ELECTRICAL REQUIRED 120 V, 60 Hz, 1 PH:							36.08	AMP LOAD